

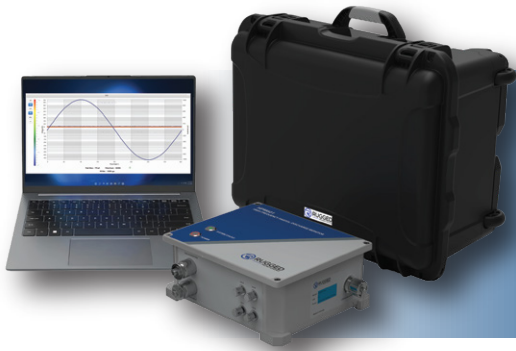


HPM601-P

High Frequency Partial Discharge
Monitor-Portable

HPM601-P

Effortless PD Measurements with Rugged Precision for Power Assets



Our high-frequency PD portable solution is a rugged and compact design for effortless online and offline PD monitoring of Transformers, Power Cables, Switchgear - AIS, GIS, and Reactors. It is ideal for periodic testing and diagnostics.

The HPM601-P is a high-frequency Partial Discharge (PD) monitoring solution engineered for precision and reliability in modern power systems. Available in 4 or 8-channel configurations, the system enables synchronous, multi-point PD measurement and analysis. It operates across a wide frequency range of 0.01 – 100 MHz, making it suitable for detecting a broad spectrum of partial discharge signals.

Built with a compact and rugged IP65-rated enclosure, the HPM601-P is designed for durability and portability, making it ideal for field operations and laboratory environments.

The system delivers accurate, high-resolution data even in high-interference conditions with a high-speed sampling rate of 250 MS/s (for each channel separately) and software-controlled HF band-pass filtering. It captures and processes thousands of PD pulses per second, generating detailed Phase Resolved Partial Discharge (PRPD) patterns for reliable PD classification.

The HPM601-P supports various high-frequency sensors, accommodating asset types and testing requirements. It integrates seamlessly with PD Connect software for real-time monitoring, visualization, and analysis. Communication is enabled via Ethernet Copper-RJ45 connectors and a proprietary TCP/IP protocol for secure and efficient data transmission.

Engineered for high-frequency performance and real-world flexibility, the HPM601-P is the ideal choice for dependable PD monitoring and proactive maintenance across diverse electrical systems.

» Features

- Durable and Compact Design
- Flexible Channel Configuration
- High-Speed Data Acquisition
- Advanced Noise Filtering
- Reliable Communication Interface
- Integrated Software Suite

» Benefits

- Durable and Reliable
- Enhanced Noise Management
- Robust Data Handling
- Adaptable to Unique Needs
- Versatile Measurement Capabilities
- Interactive and Dependable Analysis & Reporting

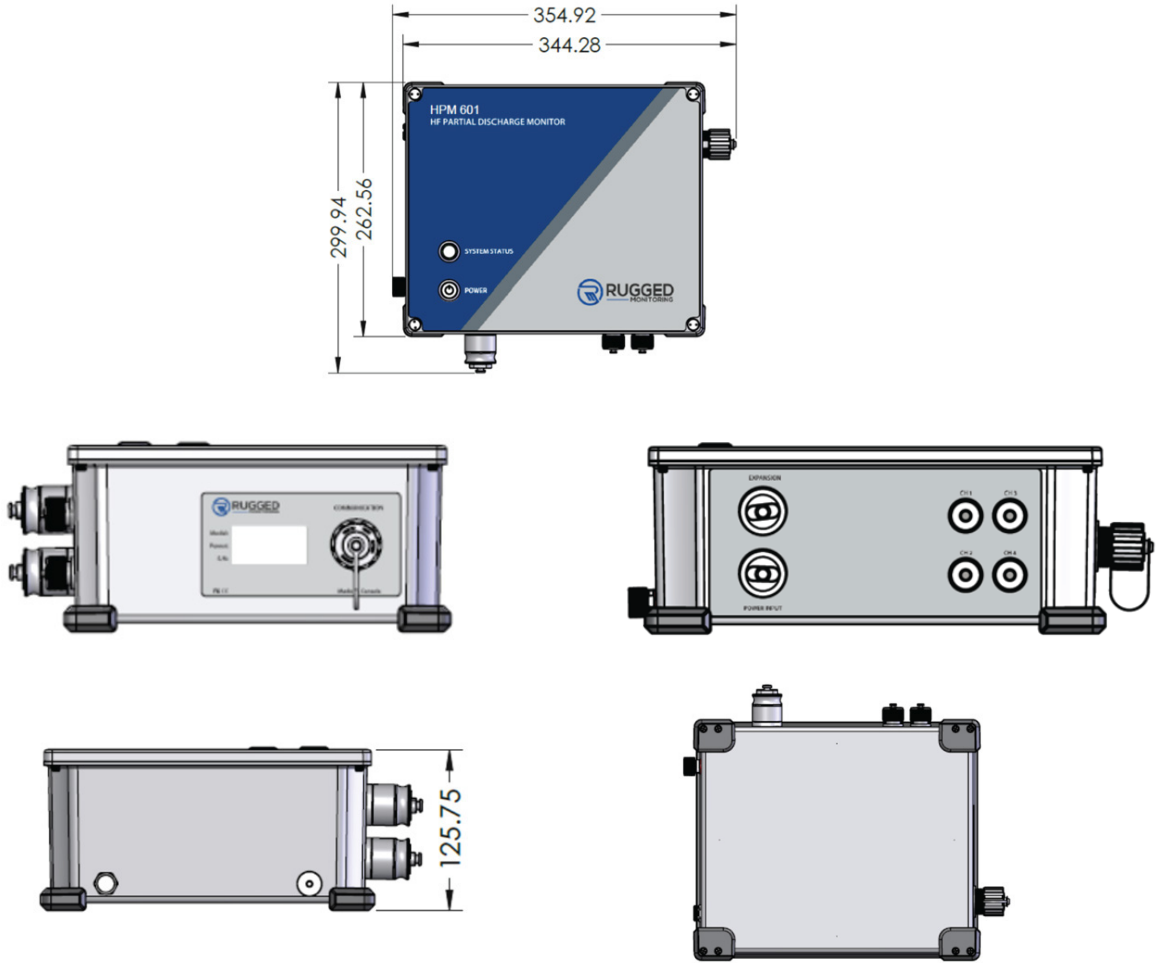
» Applications

- Switchgear - AIS and GIS
- Power Transformers
- Reactors
- Power Cables
- HV AC Testing (Resonant test set, VLF, OWTS)
- Online Periodic PD Monitoring
- Multiple Point PD Monitoring

» Technical Specifications

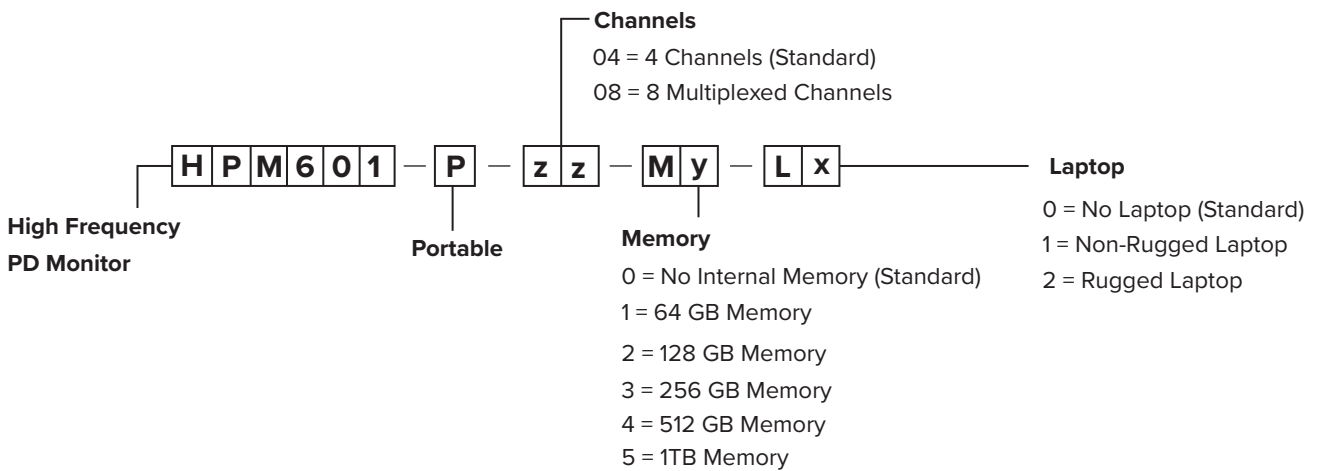
Sampling Rate	250 MS/s (For each channel separately)
HF Frequency Range	0.01 - 100MHz
No. of Channels	4 No's (Simultaneous acquisition) or 8 No's Option available
HF Amplitude Range	1mV to 2000mV
HF Noise Elimination	Software controllable band-pass filter
Communication Protocols	Ethernet Copper-RJ45. Proprietary TCP/IP
PD Measurement Types	IEC 60270
	HF and VHF
	HVAC
	Acoustic
Power Rating	50W
IP Rating	IP 65
Synchronization	<ol style="list-style-type: none"> 1. Internal Raw Power Supply 2. External with Rogowski Coil, Electrical Field Sensor 3. 110V VT Signal
Compatible Sensors	HSENS-H, HSENS-T, HSENS-CC, BSENS, ASENS, any HF sensor range upto 100 MHz
Ambient Temperature	-30°C to +60°C
Storage Temperature	-40°C to +85°C
Dimensions	299.94 mm (L) x 354.92 mm (W) x 125.75 mm (H)
Software	Windows Based (PD Connect - Default)
Asset Types Monitored	Transformers, Reactors
	Switchgear AIS and GIS
	Power Cables

» Product Drawing



Note: All dimensions are in millimeters (mm)

» Ordering Code



CERTIFICATIONS



Canada

1415 Frank-Carrel, Sulte , 230, Quebec, QC-G1N , 4N7, CANADA

Asia Pacific | China | India | Middle East & Africa | Europe | North America | Latin America

+1-418-767-0111

info@ruggedmonitoring.com

www.ruggedmonitoring.com