

» Applications



Transformer Monitoring
(Oil Filled / Dry type)



Motors/Generators Monitoring
(DOL / VFD)



Cable Monitoring
(EHV / HV / MV)



Switchgear Monitoring
(GIS / AIS / MV Panel)

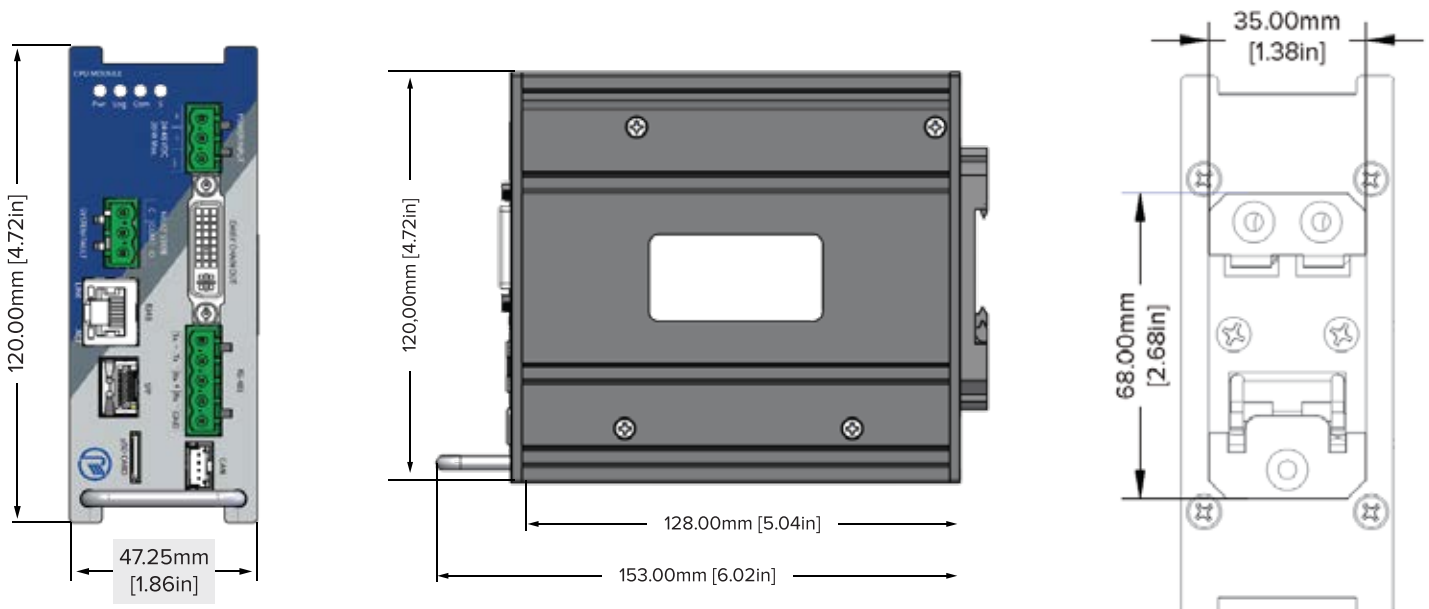
» Benefits

- System boasts powerful gateway and media converter capabilities
- Historical Data Storage and Trend Analysis
- Proactive Maintenance and Cost Savings
- Informed and Quick Decision Making
- Reliability and Longevity of assets
- Prevents unexpected failures and reduces downtime

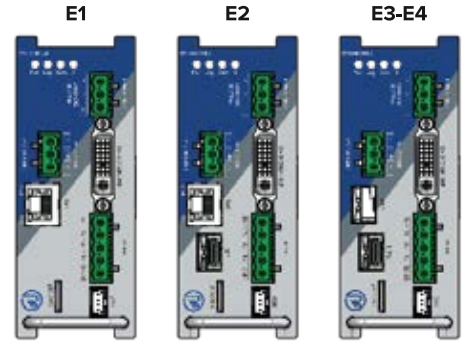
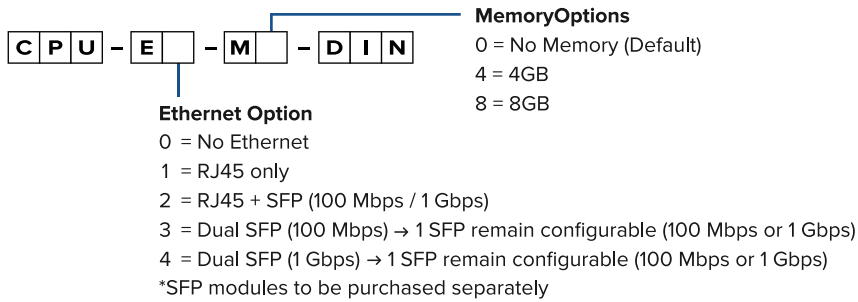
» Technical Specifications

Data storage capacity	Micro SD external memory lot (up to 2 TB)
Logging Rate	1 Sec interval on USB
Config Port	USB (to use with Rugged Connect Windows software)
Dimensions(mm)	H 120 x W47.25 x D 128
Communication & Integration Options	Can integrate with any third party devices that are compatible with Modbus, DNP3.0, IEC 60870-5-104, MQTT, IEC61850, PRP
Input supply	24VDC
Power consumption	25W

» Product Drawing



» Ordering Code



-EX OPTIONS	-E0	- R501 with 01x RS485 port only. - No Ethernet Port available - Supports Modbus RTU, DNP3.0 RTU and IEC60870-101 protocols
	-E1	- R501 with 01x RS485 port - 01x Ethernet Port (RJ-45) - Supports Modbus, DNP3.0, IEC60870-101, IEC60870-104, and IEC61850 protocols
	-E2	- R501 with 01x RS485 port - 01x Ethernet Port (RJ-45) - 01x SFP (100mbps/1gbps) Slot only (No Module included) - Supports Modbus, DNP3.0, IEC60870-101, IEC60870-104, and IEC61850 protocols
	-E3	- R501 with 01x RS485 port - 01x SFP (100mbps) Slot only (No Module included) - 01x SFP (100mbps/1gbps) Slot only (No Module included) - Supports Modbus, DNP3.0, IEC60870-101, IEC60870-104, and IEC61850 protocols
	-E4	- R501 with 01x RS485 port - 01x SFP (1gbps) Slot only (No Module included) - 01x SFP (100mbps/1gbps) Slot only (No Module included) - Supports Modbus, DNP3.0, IEC60870-101, IEC60870-104, and IEC61850 protocols
SFP MODULES	RM-SFP-SX-LC	SFP Module with 1gbps Speed (1000Base-SX), Multimode (covers up to 550m), LC Connector type, Fits into SFP slot of R501
	RM-SFP-FX-LC	SFP Module with 100mbps Speed (1000Base-FX), Multimode (covers up to 2Km), LC Connector type, Fits into SFP slot of R501

CERTIFICATIONS



875 Bd. Charest O, Quebec, QC, Canada G1N 2C9

Asia Pacific | China | India | Middle East & Africa | Europe | North America | Latin America

+1-418-767-0111

info@ruggedmonitoring.com

www.ruggedmonitoring.com